

## SPR160(finish) SENZA PARI® ANDRETTA

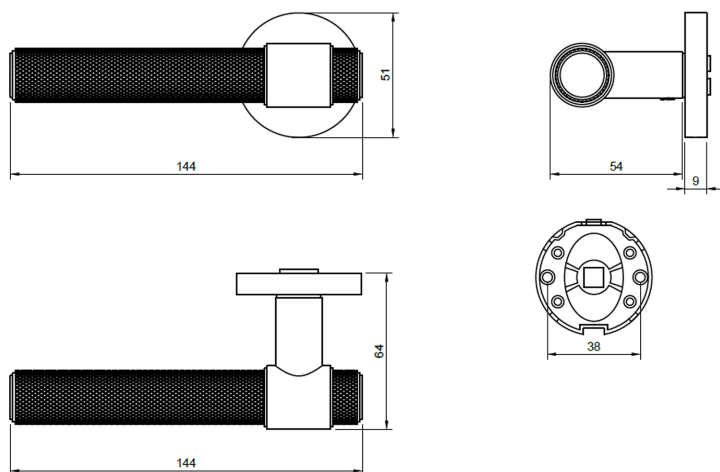
Product Code	SPR160(finish)	
Product Name	SENZA PARI® Andretta Kurled Lever	
Product Description	Andretta Kurled Lever Door Handle on Minimal Round Rose	
Product Base Material	Zinc Alloy	
Available Finishes	Polished Chrome (PC)	Antique Brass (AB)
	Matt Black (MB)	Urban Dark Bronze (UDB)
	Satin Brass (SB)	

Other Information To be cleaned using a soft damp cloth. Chemicals, solvents or abrasives will damage the applied finish. Supplied with 2 x Bolts, 1 x Fixing Plate, 1x Split Spindle, 2 x Grub Screws & Allen Key.

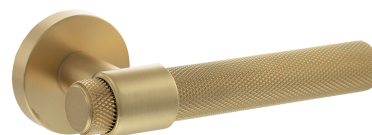
10 Year Mechanical Guarantee subject to fitting requirements.

Matching WC Turn: SPRWC(finish)  
Matching ESC: Key: SPRESCK(finish) Euro: SPRESCE(finish)

### Dimensions



### Product Image



Product Finish Pictured: Satin Brass (SB)

### Care of Finish

In the unusual event of this product failing mechanically, we will replace it free of charge, providing you can supply us with the faulty product and a receipt to show proof of purchase. If the items are not fitted in accordance with the fitting instructions, in a correct application, this may not apply.

Products have an applied finish, and we do recommend regular cleaning with a soft cloth. If necessary, you may moisten the cloth, with water. If this is not effective in removing accumulated deposits, try using a PH-neutral soap on a soft cloth, then remove the soap immediately after application, with the help of a clean, moist, soft cloth. Under no circumstances should you use an abrasive/hard tool, chemical, acidic or abrasive substance to clean these products. This will break down the applied finish. The finish may chip or scratch if subjected to impact from sharp items such as keys and jewellery. Atlantic UK retains the right to send items away for chemical testing to analyse if the product has come into contact with any abrasive or chemical substance before issuing replacements.

Please be aware that in environments where there are high concentrations of chemicals in the air, for example from the use of low-quality paint or corrosive agents, corrosion and damage may occur to the surface of the product. Products should therefore not be fitted in such environments, until the high concentration of chemicals in the air has subsided.

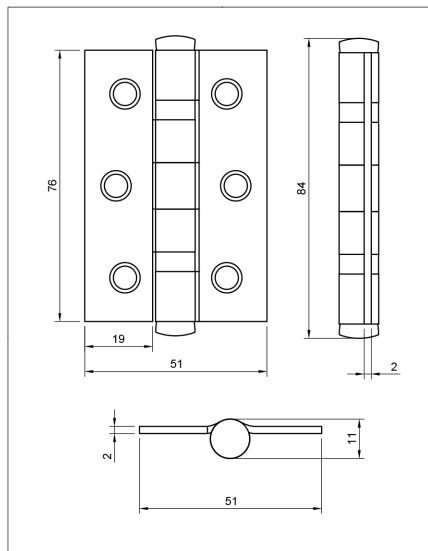
*the finish matters*

## A2H322(finish) ATLANTIC<sup>®</sup> BALL BEARING HINGE

Product Code	A2H322(finish)	
Product Name	ATLANTIC <sup>®</sup> CE Ball Bearing Hinge FD 30/60 UKCA Marked	
Product Description	3" CE Ball Bearing Hinge - 3" x 2" x 2mm with Screws FD 30/60 UKCA Marked	
Product Base Material	Stainless Steel	
Available Finishes	Antique Brass (AB) Antique Copper (AC) Black Nickel (BN) Distressed Silver (DS) Matt Antique Brass (MAB) Matt Black (MB) Matt Gun Metal (MBN) Polished Brass (PB)	Polished Nickel (PN) Polished Stainless Steel (PSS) Satin Brass (SB) Satin Nickel (SN) Satin Stainless Steel (SSS) Urban Bronze (UB) Urban Dark Bronze (UDB) Urban Satin Copper (USC)
Other Information	To be cleaned using a soft damp cloth. Chemicals, solvents or abrasives will damage the applied finish. Supplied with wood screws. 10 Year Mechanical Guarantee subject to fitting requirements.	
Matching Hinges:	A2HB32525(finish), AH1433(finish), APH424(finish)	

### Dimensions

Length (C): 76mm  
 Full Width (A): 50mm  
 Depth of Leaf(D): 2mm  
 Depth of Knuckle(E): 12mm



### Product Image



Product Finish Pictured: Distressed Silver (DS)



FD30/60



CE Marked



BS EN 1935



Certifire Approved Product

### Care of Finish

In the unusual event of this product failing mechanically, we will replace it free of charge, providing you can supply us with the faulty product and a receipt to show proof of purchase. If the items are not fitted in accordance with the fitting instructions, in a correct application, this may not apply.

Products have an applied finish, and we do recommend regular cleaning with a soft cloth. If necessary, you may moisten the cloth, with water. If this is not effective in removing accumulated deposits, try using a PH-neutral soap on a soft cloth, then remove the soap immediately after application, with the help of a clean, moist, soft cloth. Under no circumstances should you use an abrasive/hard tool, chemical, acidic or abrasive substance to clean these products. This will break down the applied finish. The finish may chip or scratch if subjected to impact from sharp items such as keys and jewellery. Atlantic UK retains the right to send items away for chemical testing to analyse if the product has come into contact with any abrasive or chemical substance before issuing replacements.

Please be aware that in environments where there are high concentrations of chemicals in the air, for example from the use of low-quality paint or corrosive agents, corrosion and damage may occur to the surface of the product. Products should therefore not be fitted in such environments, until the high concentration of chemicals in the air has subsided.

*the finish matters*